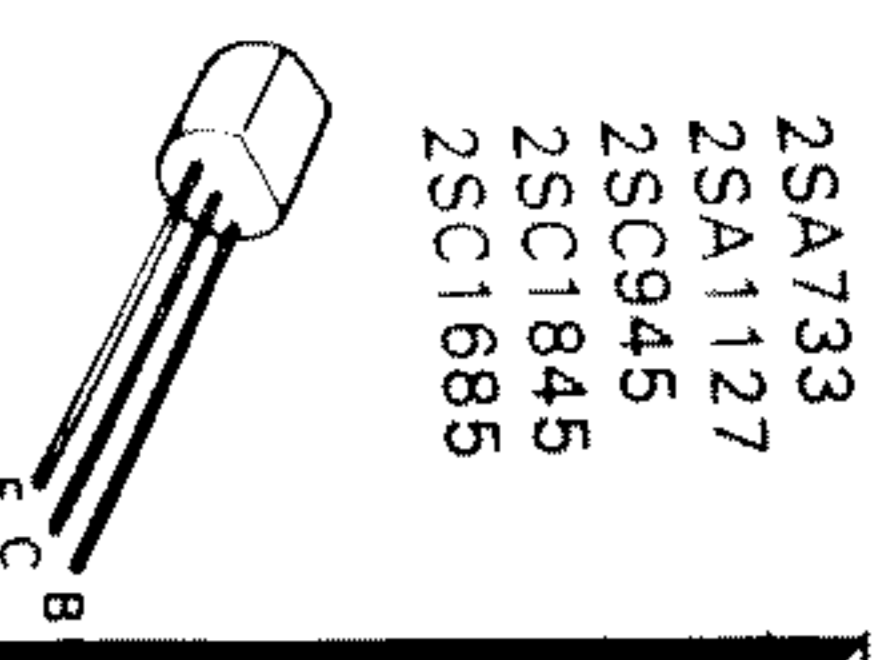
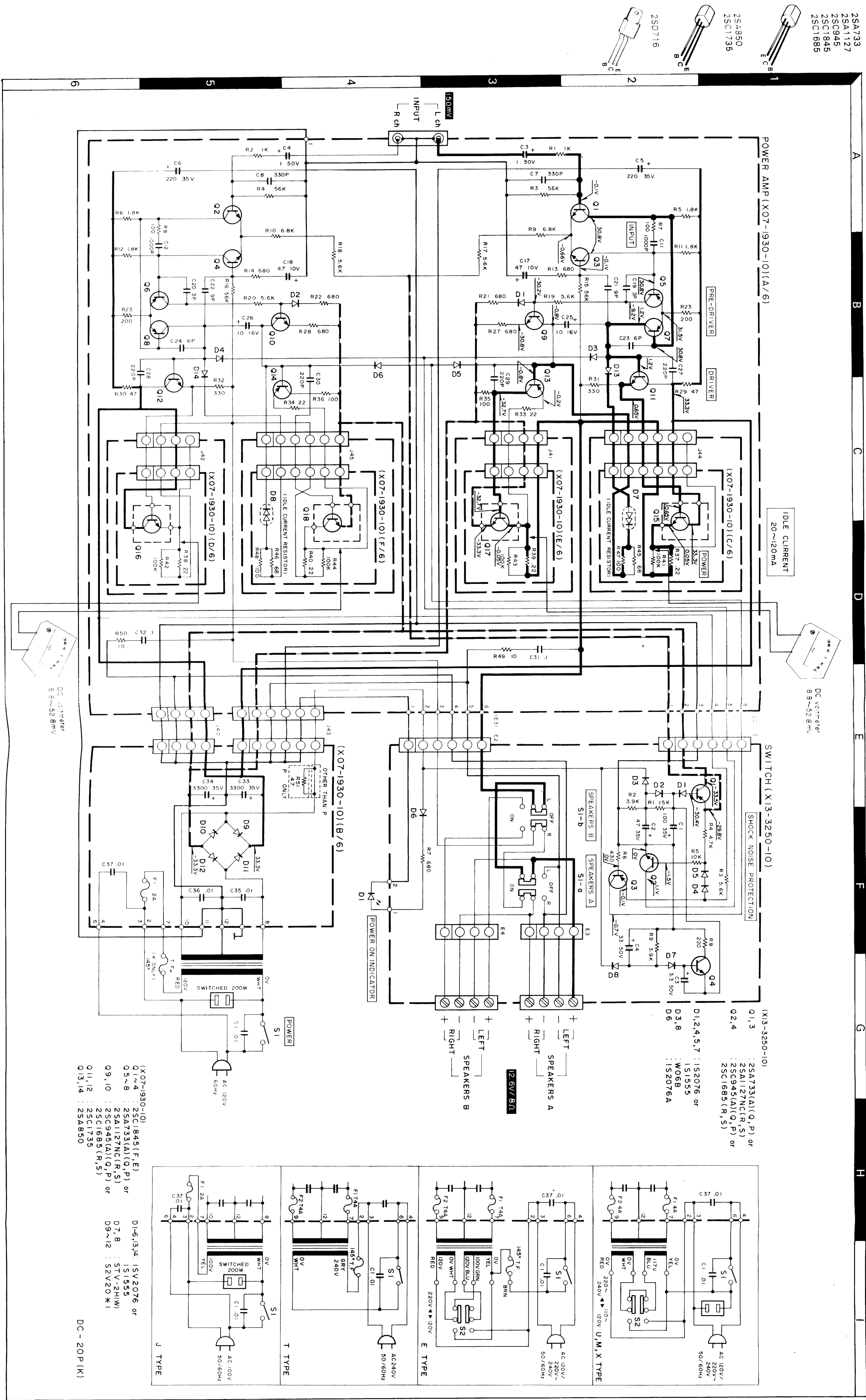
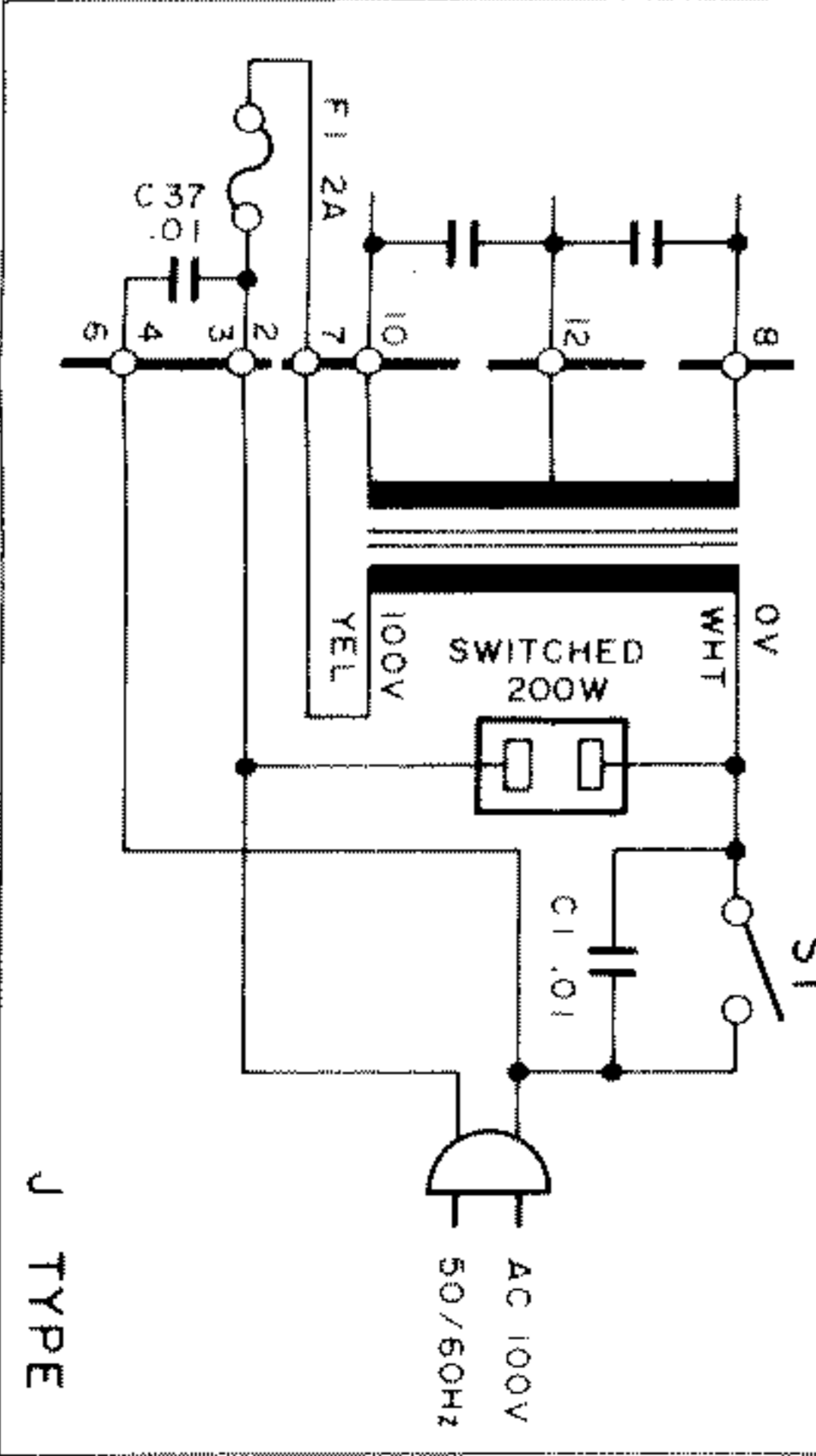
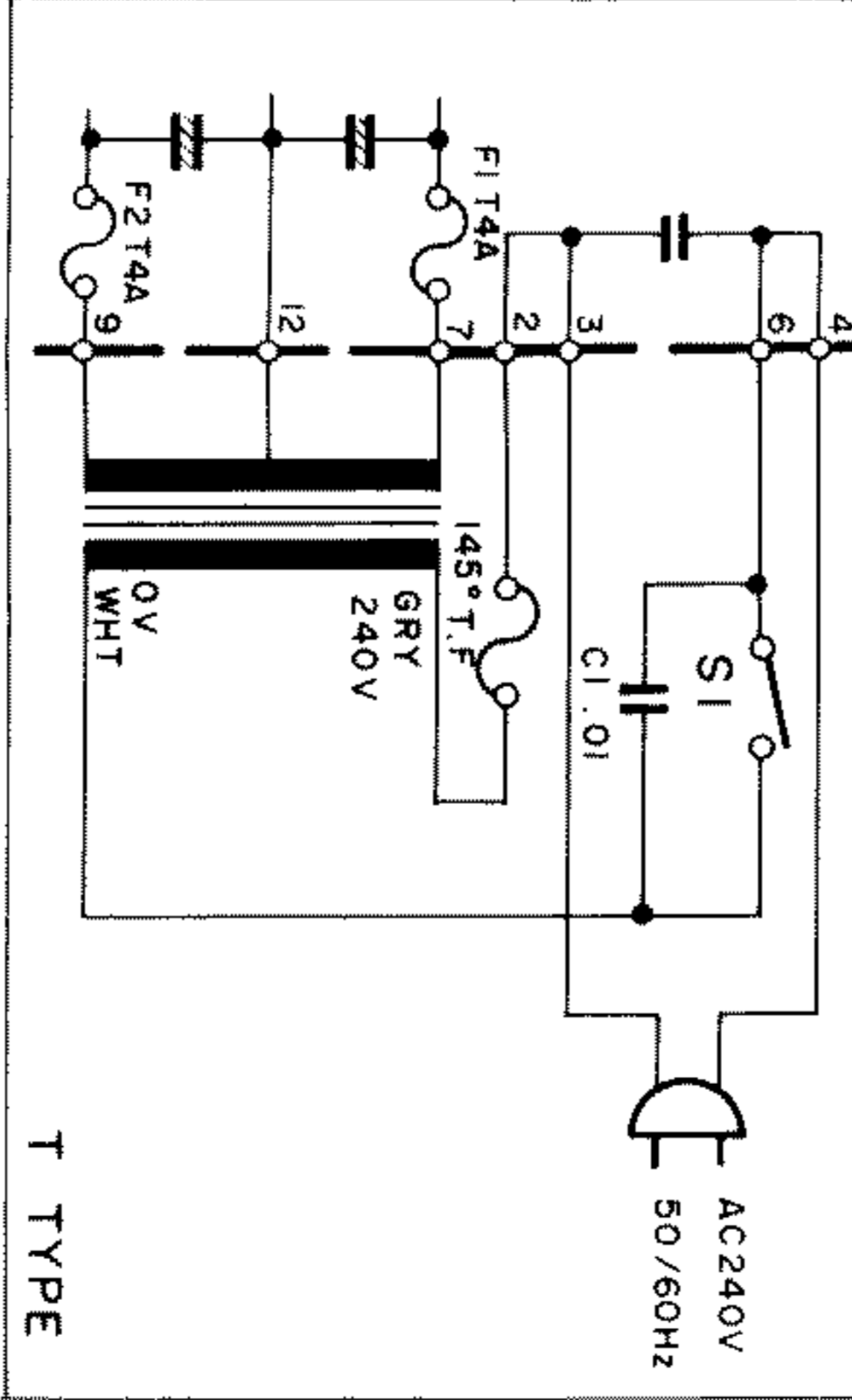
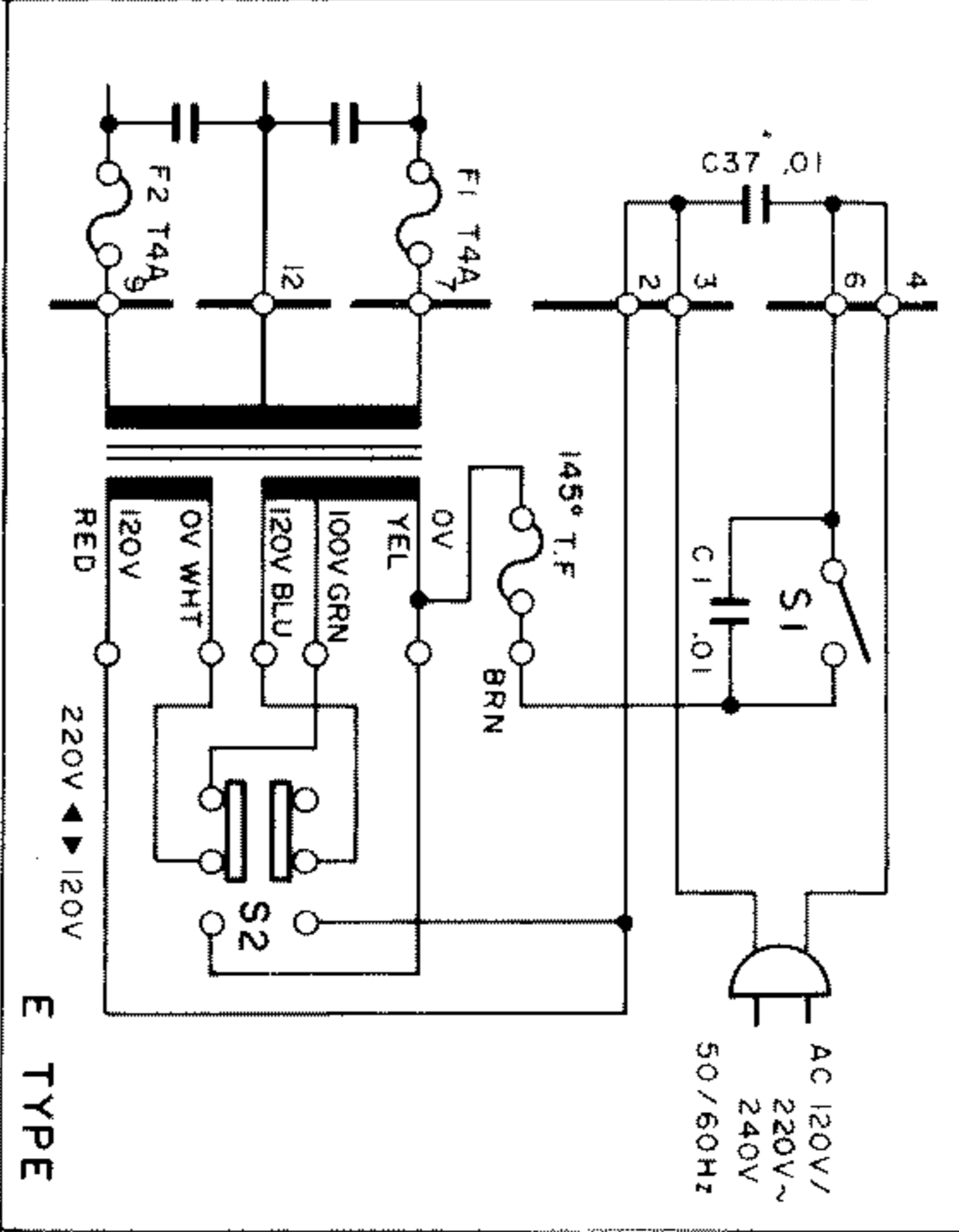
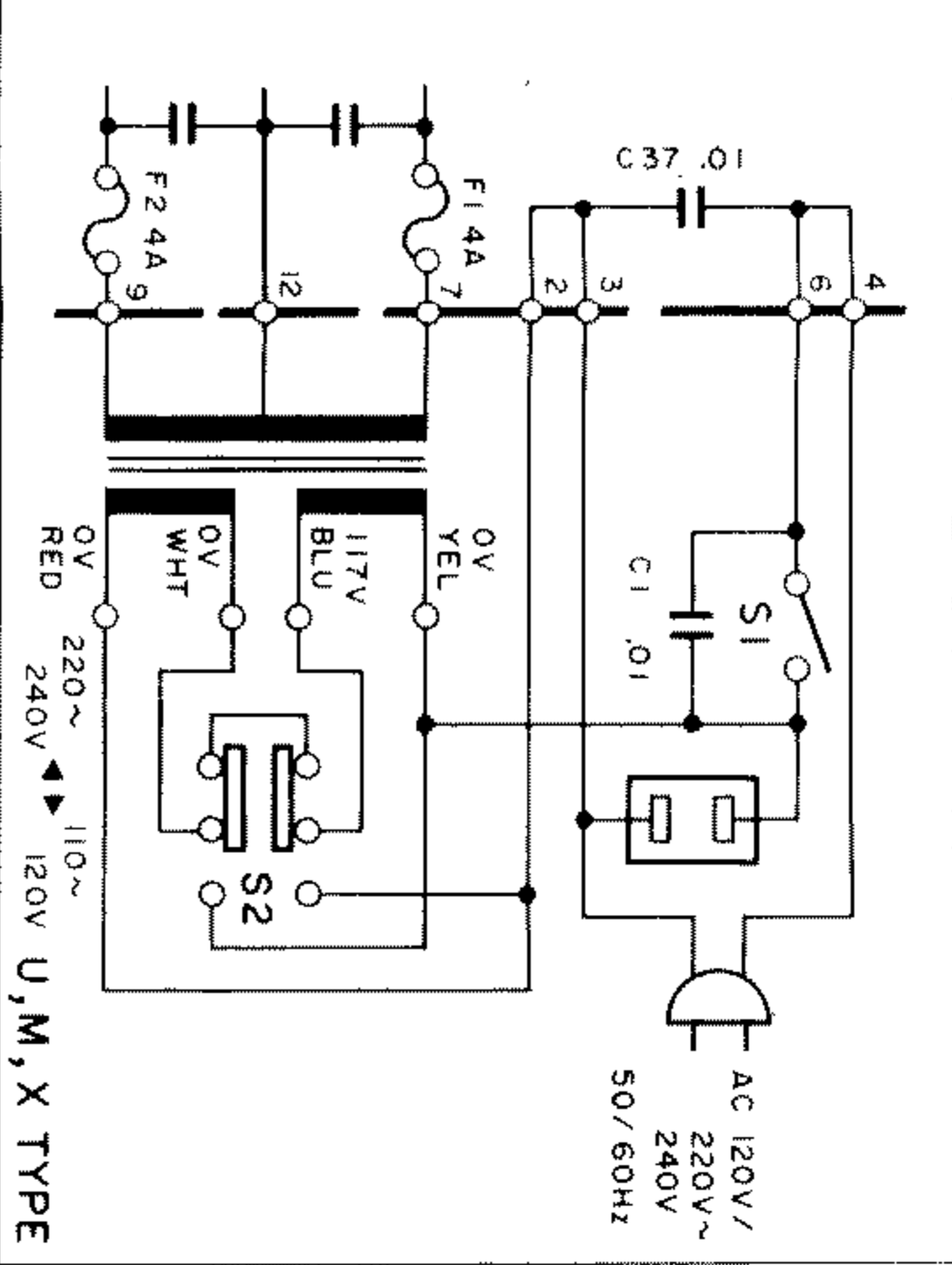


When replacing transistor Q17, cut its leads shortly as possible to prevent them from touching with AC outlet.



- (X13-3250-10)
 Q1, 3 : 25A733(A)(Q, P) or 25A1127(NC(R, S))
 Q2, 4 : 25C945(A)(Q, P) or 25C1685(R, S)
 D1, 2, 4, 5, 7 : 1S2076 or 1S1555
 D3, 8 : W06B
 D6 : 1S2076A

- (X07-1930-10)
 Q1~4 : 25C1845(F, E)
 Q3~8 : 25A733(A)(Q, P) or 25A1127(NC(R, S))
 Q9, 10 : 25C945(A)(Q, P) or 25C1685(R, S)
 Q11, 12 : 25C1735
 Q13, 14 : 25A850



DC - 20P (K)

- DC
- Left
- Right
- D.C.
- KΩ

STEREO POWER AMPLIFIER

able to prevent them from touching with AC outlet.

C

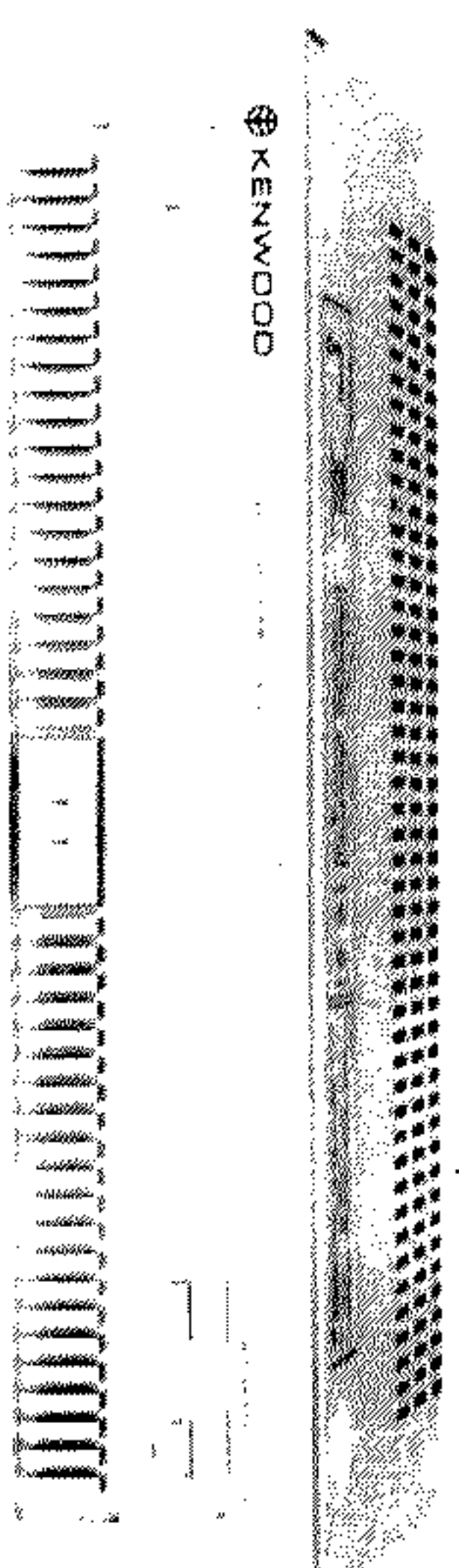
D

E

F

G

H



DC-20P

SPECIFICATIONS

POWER AMPLIFIER SECTION

Power Output: 20 watts* per channel minimum RMS, both channels driven at 8 ohms from 40 Hz to 20,000 Hz with no more than 0.1% total harmonic distortion.

Total Harmonic Distortion (40 Hz to 20 kHz from POWER-IN)

rated power into 8 ohms 0.1%

1/2 watt power into 8 ohms 0.07%

Intermodulation Distortion (60 Hz : 7 kHz = 4 : 1 SMPTE)

rated power into 8 ohms 0.02%

Damping Factor 35 at 1 kHz, 8 ohms

Input Sensitivity/Impedance 150 mV/50 kohms

POWER-IN 100 dB for 150 mV input;

SIGNAL-TO-NOISE RATIO (A weighted) 10 Hz to 100 kHz +0 dB, -3 dB

FREQUENCY RESPONSE 10 Hz to 100 kHz +0 dB, -3 dB

GENERAL

Power Consumption 1A (UL and CSA)

120W (IEC)

Switched 1

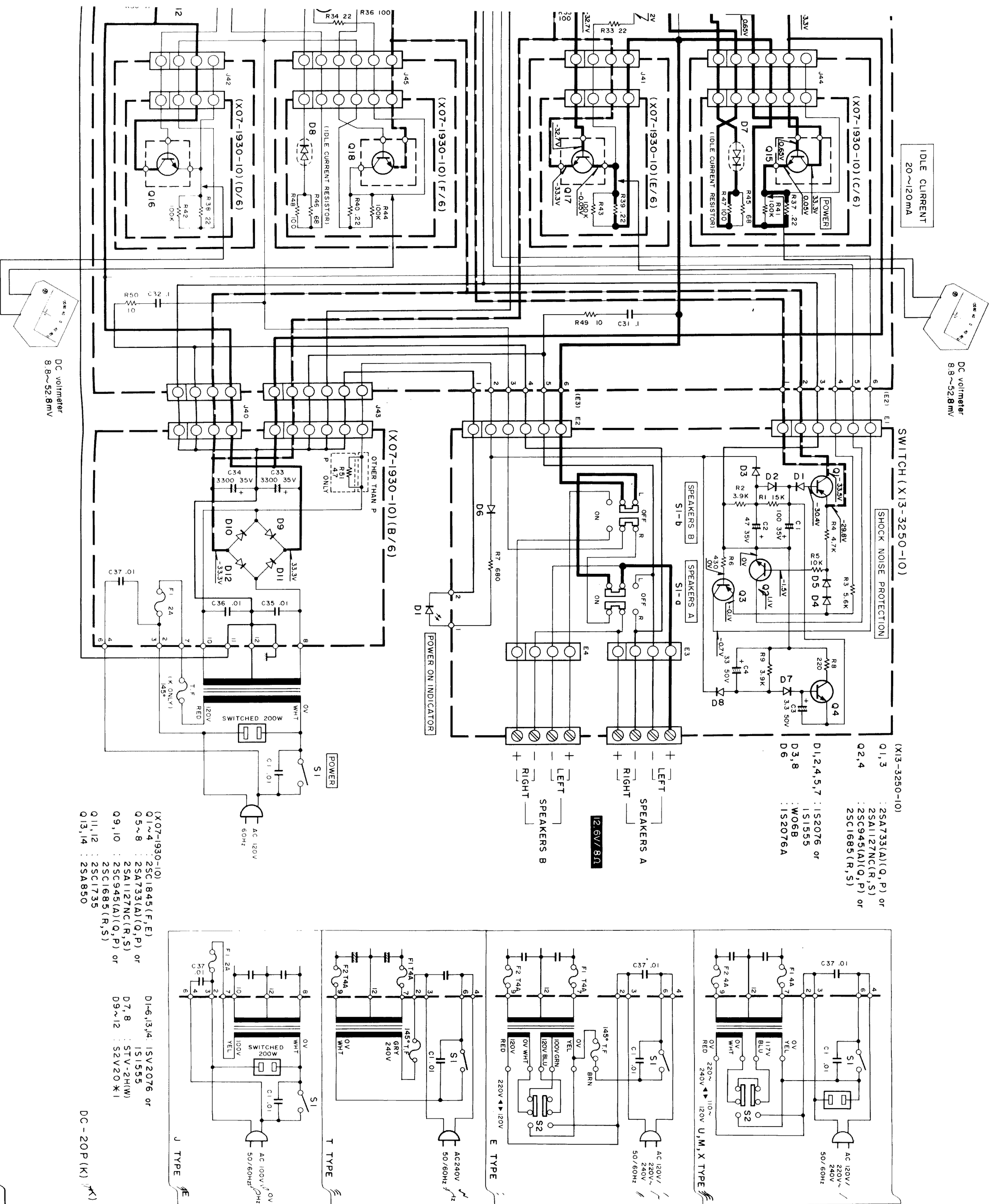
AC Outlet: DC-20P + DC-20X

W: 290 mm (11-13/32")

H: 308 mm (12-5/32")

D: 150 mm (5-29/32")

Weight (Net) 3.5 kg (7 lb)



- (X13-3250-10)
 Q1, 3 : 2SA1733(A) (Q, P) or
 : 2SA1127NC (R, S)
 Q2, 4 : 2SC945(A) (Q, P) or
 : 2SC1685 (R, S)
 D1, 2, 4, 5, 7 : 1S2076 or
 : 1S1555
 D3, 8 : W06B
 : 1S2076A
 D6 : 1S2076A
- (X07-1930-10)
 Q1~4 : 2SC1845 (F, E)
 Q5~8 : 2SA733(A) (Q, P) or
 : 1S1555
 Q9, 10 : 2SC945(A) (Q, P) or
 : 2SC1685 (R, S)
 Q11, 12 : 2SC1735
 Q13, 14 : 2SA850

DC - 20P (K)

- DC voltages are measured by a VOM of 20 kΩ/V input impedance
 - Les tensions de courant continu sont mesurées par un multimètre d'une impédance d'entrée de 20 kΩ/V
 - Die Gleichstrom-Spannungen werden durch ein Vielfachmeßgerät von 20 kΩ/V Eingangs-Impedanz gemessen
- * Master and pursuant to Federal Trade Commission's Trade Regulation rule on Power Output Claims for Amplifier in U.S.A.
- Kenwood follows a policy of continuous advancements in development. For this reason specifications may be changed without notice.
- Kenwood suit une politique de progrès constants en ce qui concerne le développement. Pour cette raison les spécifications sont sujettes à des modifications sans préavis.
- Kenwood stredt standige Verbesserungen in der Entwicklung an. Daher werden Änderungen der technischen Daten jederzeit vobehalten.